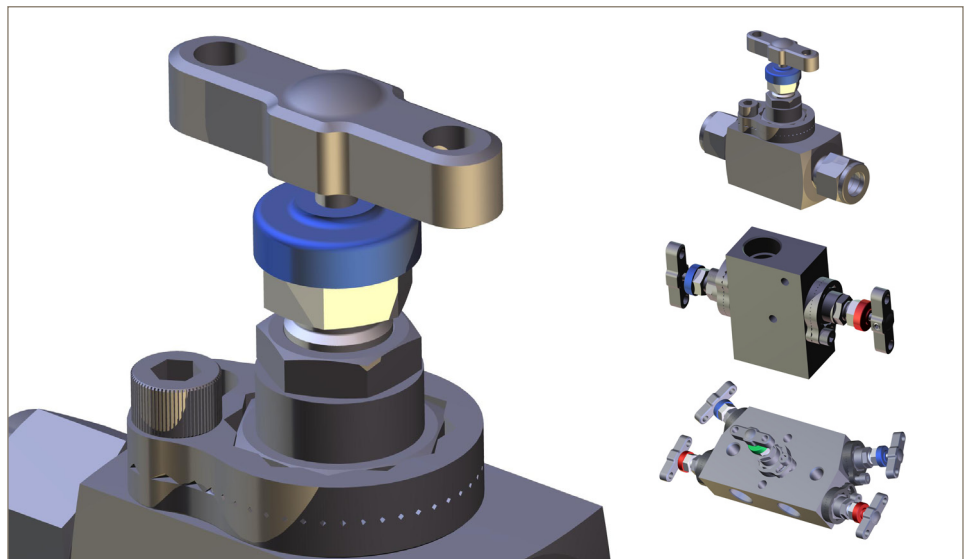


E-Talk

Parker Instrumentation Products Division,
Europe



New Product Development: H-Series valves now available to ANSI/ASME B31.1/B31.3 for Power Plant and Petrolchem



As the worldwide demand for power generation facilities grows, Parker has developed its range of H-Series, Monoflanges, and Hi-Pro products to conform to the ANSI/ASME B31.1 standard. This standard means that Parker can now be specified to supply to customers that require both ANSI/ASME B31.1 (Power plants) and B31.3 (Petrochemical plants).

The power generation market reaches into every geographical region of the globe. If new plants are not being constructed to meet the increasing demands for energy, then existing plants are being overhauled for increased efficiency and also upgraded in order to conform to new environmental standards. Many of the larger engineering firms now insist on the B31.1 standard for many of their projects, and it will only be a matter of time before it becomes essential to the industry, and not just a 'nice to have'.

Since most projects in the power generation industry are thought out and strategically planned many years in advance of the visible start of the project, it is important for Parker representatives to get involved in the project definition, specification and development stages of the customer's buying process.

Following the development of these products, the following technical catalogues have been updated:

- Cat 4190-HV
- Cat 4190-PM
- Cat 4190-FM
- Cat 4190-HBV
- Cat 4190-FP

All catalogues will soon be available to order from the EMDC.

With B31.1 approval of Parker products, it is now an excellent time to introduce Parker to an expanding market.

Please contact Graham Johnson at IPDE on +44 (0)1271 313131 or email gsjohnso@parker.com.

Value Proposition

- TRU-LOK® head assembly assures safer valve technology
- New global opportunities
- Continued product development to support our customers.
- Clients can now order fittings, valves and manifolds from one source



Parker Hannifin Ltd
Instrumentation Products Division Europe
phone +44 (0) 1271 313131
www.parker.com/ipd

ENGINEERING YOUR SUCCESS