



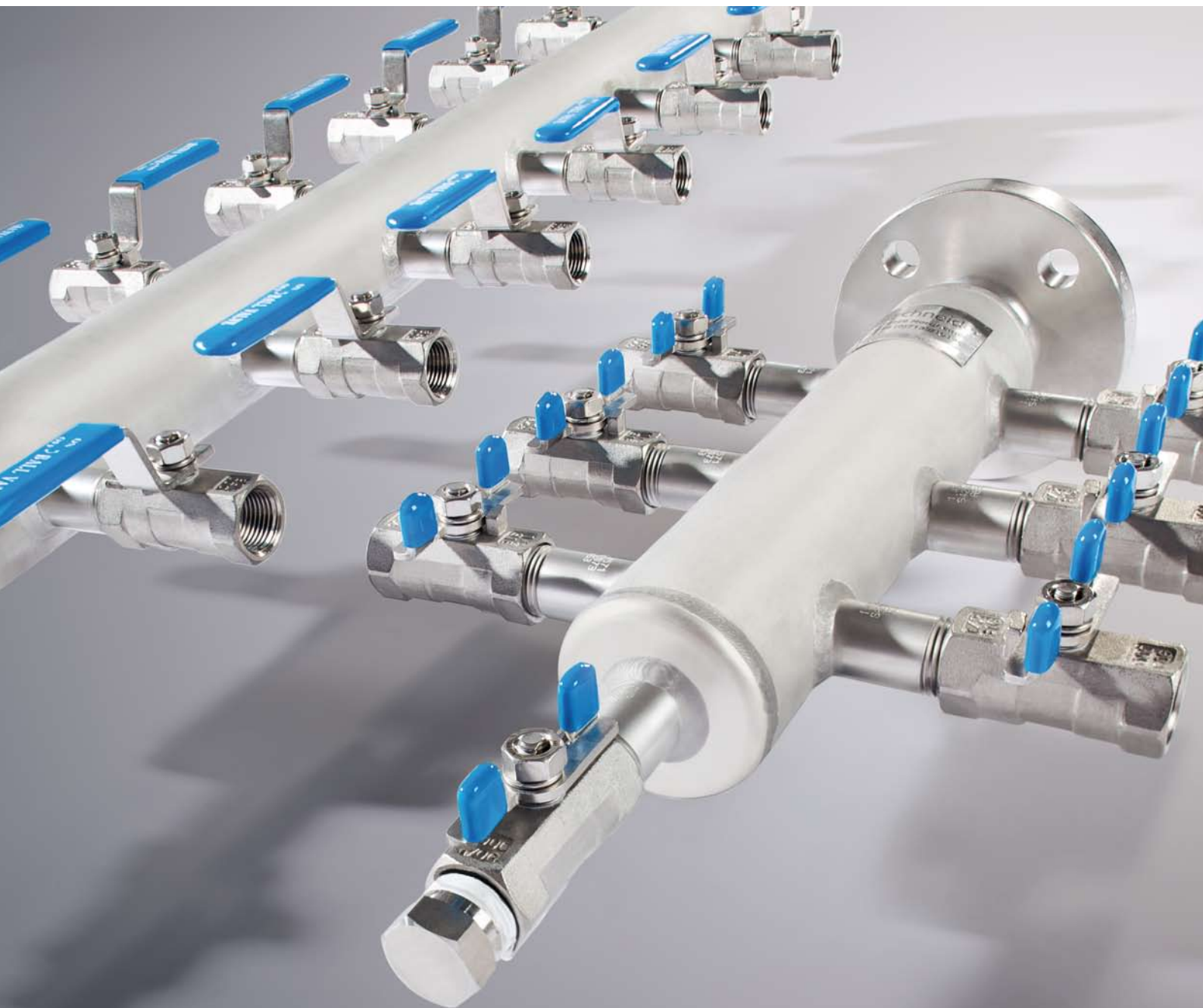
schneider

Tailored to Your Business



Instrumentation Products

Air Headers



Air Headers

Product description

Schneider Air Headers are used to supply several users with instrument air. Besides multiple types of standard styles we also supply the Schneider Air Headers according customer demands.

Features

Distribution pipe

- 2" pipe

Inlet

- Flange according ASME, DIN or EN
- Threaded

Outlet ports

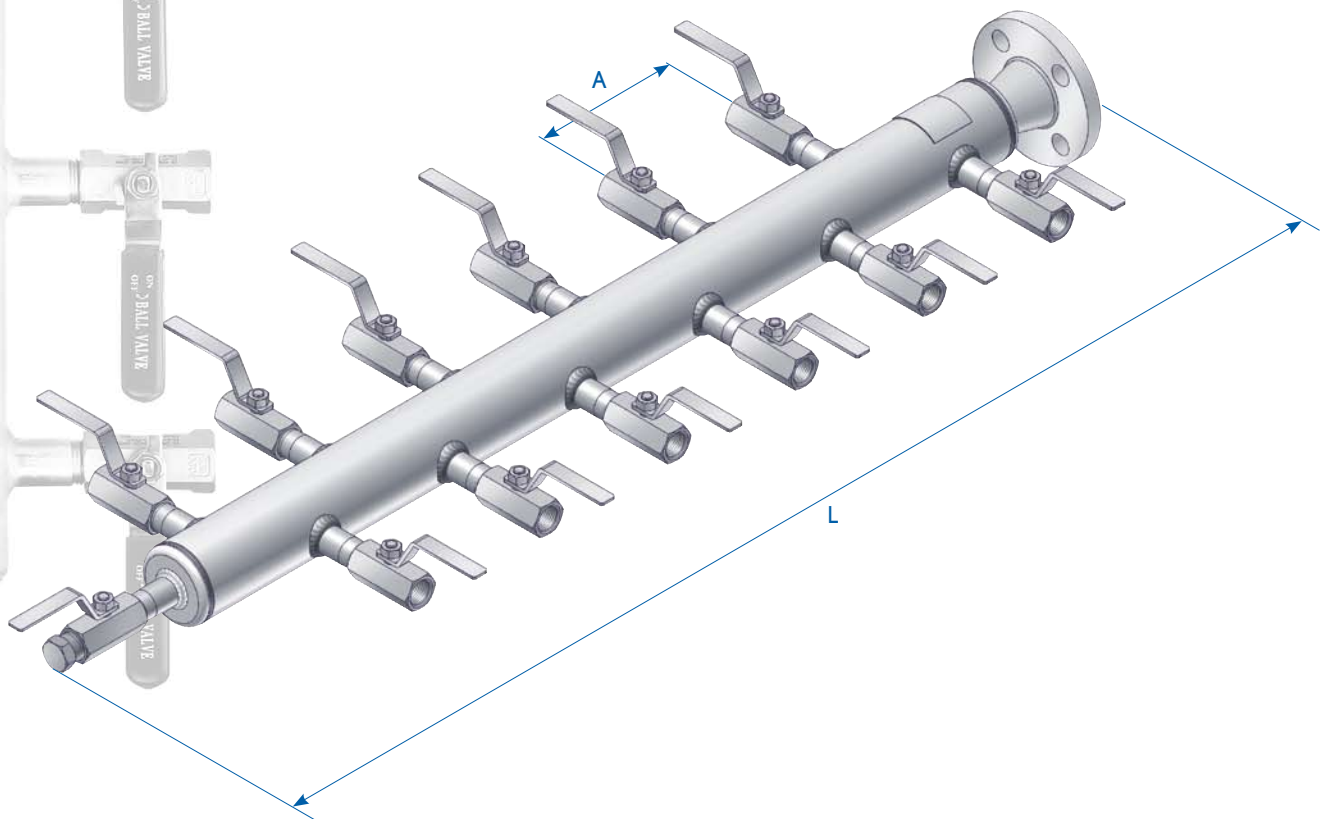
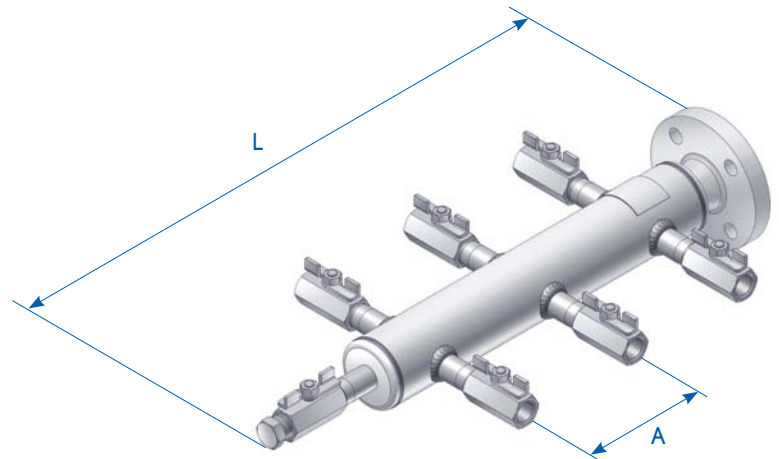
- Ball valves
- Shut-off valves
- Tube fittings
- Threaded

Material

- Stainless steel

Optional Features

- Mounting bracket
- Certificates according EN 10204



Ordering Information | Air Header

	1	2	3	4	5	6	7	8	9	10	11	12	13	14	15
	L	2	0	6	-	N	G	A	-	A	0	4	4	P	
Air Header															
Size															
2	2" pipe														
Number of outlet ports															
Dimension L															
06	6 branches (3 on each side)										appr. 480mm				
12	12 branches (6 on each side)										appr. 840mm				
36	6 branches (3 on each side, offset)										appr. 580mm				
42	12 branches (6 on each side, offset)										appr. 940mm				
Inlet															
NGA	Flange 1" Class 150 RF														
NGB	Flange 1" Class 300 RF														
PLB	Flange DN25 PN16 C														
PLD	Flange DN25 PN40 C														
QLB	Flange EN1092-1 DN25 PN16 B1														
QLD	Flange EN1092-1 DN25 PN40 B1														
JR8	Thread R1 male														
LP8	Thread Rp1 female														
JN8	Thread 1 NPT male														
LN8	Thread 1 NPT female														
Outlet ports															
Dimension A															
A04	Ball valve 1/2 NPT female, butterfly handle										80mm				
A02	Ball valve 1/4 NPT female, butterfly handle										80mm				
B04	Ball valve 1/2 NPT female, lever operated										120mm				
B02	Ball valve 1/4 NPT female, lever operated										120mm				
ATD	Ball valve, butterfly handle with compression fitting DIN 2353 12S										80mm				
BTD	Ball valve, lever operated with compression fitting DIN 2353 12S										120mm				
AAD	Ball valve, butterfly handle with twin ferrule compression fitting A-lok 12mm										80mm				
AAM	Ball valve, butterfly handle with twin ferrule compression fitting A-lok 1/2"										80mm				
AGD	Ball valve, butterfly handle with twin ferrule compression fitting Gyrolok 12mm										80mm				
AGM	Ball valve, butterfly handle with twin ferrule compression fitting Gyrolok 1/2"										80mm				
ASD	Ball valve, butterfly handle with twin ferrule compression fitting Swagelok 12mm										80mm				
ASM	Ball valve, butterfly handle with twin ferrule compression fitting Swagelok 1/2"										80mm				
BAD	Ball valve, lever operated with twin ferrule compression fitting A-lok 12mm										120mm				
BAM	Ball valve, lever operated with twin ferrule compression fitting A-lok 1/2"										120mm				
BGD	Ball valve, lever operated with twin ferrule compression fitting Gyrolok 12mm										120mm				
BGM	Ball valve, lever operated with twin ferrule compression fitting Gyrolok 1/2"										120mm				
BSD	Ball valve, lever operated with twin ferrule compression fitting Swagelok 12mm										120mm				
BSM	Ball valve, lever operated with twin ferrule compression fitting Swagelok 1/2"										120mm				
004	Thread 1/2 NPT male										80mm				
002	Thread 1/4 NPT male										80mm				
Drain connection															
4	Valve type as above, 1/2 NPT plugged														
2	Valve type as above, 1/4 NPT plugged														
J	Thread 1/2 NPT male														
H	Thread 1/4 NPT male														
Material															
P	Stainless Steel														
Optional Features															
P	Mounting bracket for 2" pipe c/w „U“ bolt														
W	Mounting bracket for wall mounting														

**Armaturenfabrik Franz Schneider
GmbH + Co. KG**

Bahnhofplatz 12
74226 Nordheim
Deutschland /Germany

Tel:

+49 71 33 101-146 National Sales
+49 71 33 101-129 International Sales

Fax:

+49 71 33 101-148 National Sales
+49 71 33 101-180 International Sales

www.as-schneider.com



Plant 1 in Nordheim

Plant 2 in Nordheim | Plant in Romania

